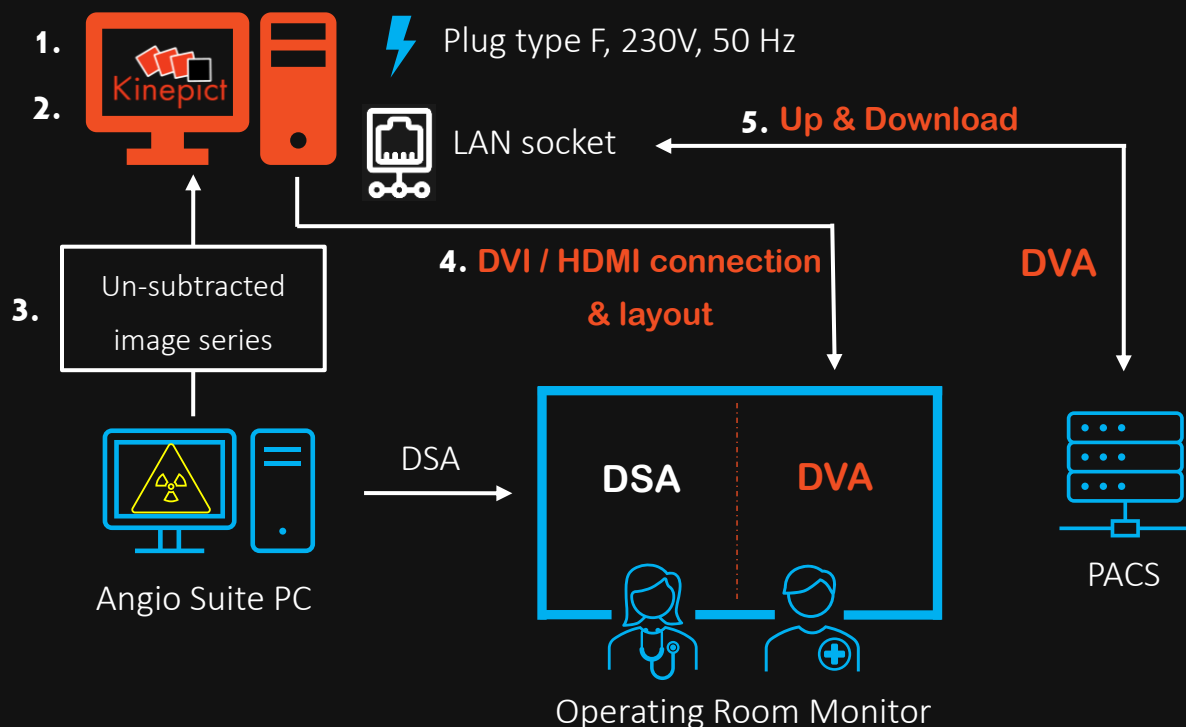


# Kinepict Medical Imaging Tool

## System Integration

Schematic network topology of Kinepict Medical Imaging Tool for cath lab integration



Step	Who?	What?
1.	Kinepict's Field Application Specialist	Install and activate Kinepict Medical Imaging Tool
2.	Network operation personnel (Local IT)	Provide Static IP Address and LAN connection for Kinepict Workstation in the control room
3.	Manufacturer's representative	Set up DICOM connection (assign IP Address, DICOM port number and AE title) to send un-subtracted data to the Kinepict Workstation
4.		Set up DVI/HDMI connection between Kinepict Workstation and the angiography suite main display in the operating room. Set up layout: in optimal case DSA and DVA images occupy 50-50% of the whole screen.
5.	PACS administrator	Permit upload and download to PACS
6.	Kinepict's Field Application Specialist	Finalize system setup based on collected information (IP address, AE title, etc.) and train medical personnel